

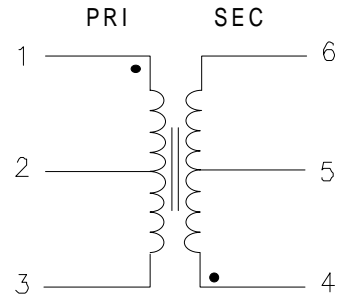
# ISDN "S" Interface Transformer

Reinforced Insulation per EN41003/EN60950

Turns Ratio 1CT:2CT

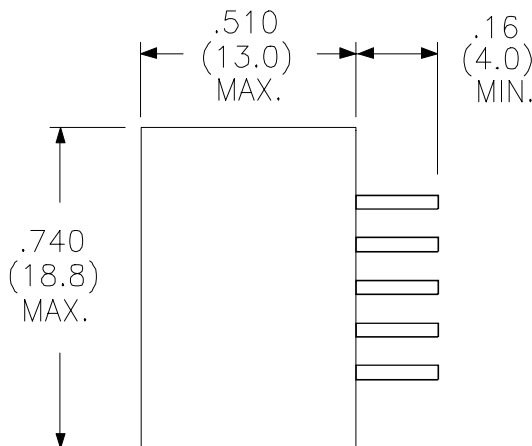
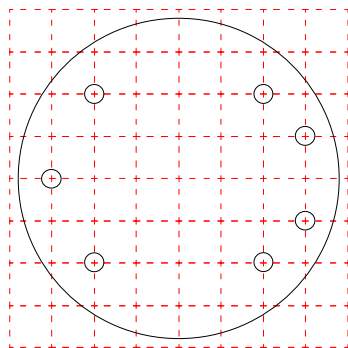
PARAMETER @25°C	MIN.	MAX.	UNITS
Inductance	25		mH
Leakage Inductance		20	μH
Primary DC Resistance	2.0	3.0	Ohms
Secondary DC Resistance	2.8	4.2	Ohms
Interwinding Capacitance		10	pF
Hipot	5200		VDC

Schematic Diagram

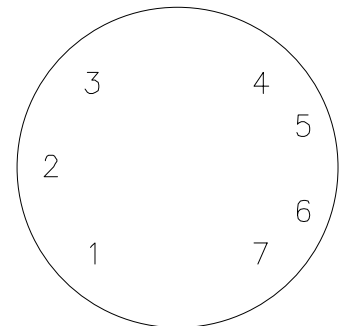


## PHYSICAL DIMENSIONS inches (mm)

Pin Centers 2.5 mm Grid  
Pin Ø 1.4 mm max.



Top View



RHOMBUS P/N: **T-995**

CUST P/N:

NAME:

DATE: **3/07/96**

SHEET: 1 OF 1