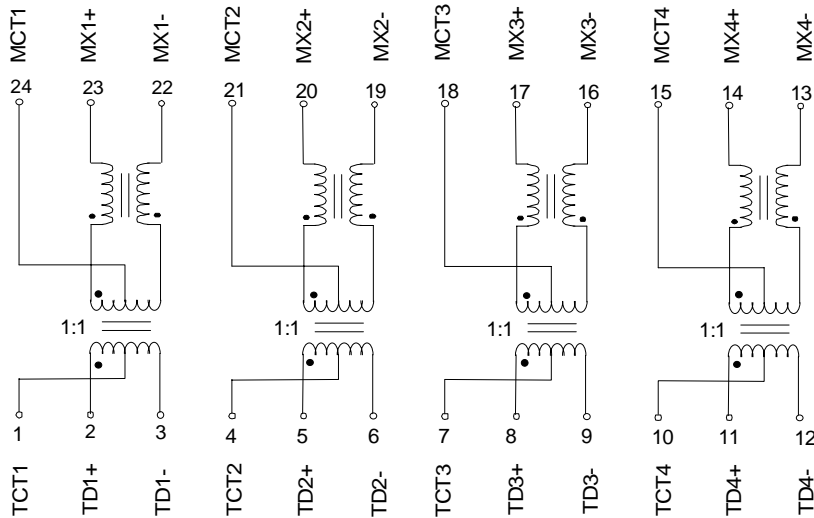


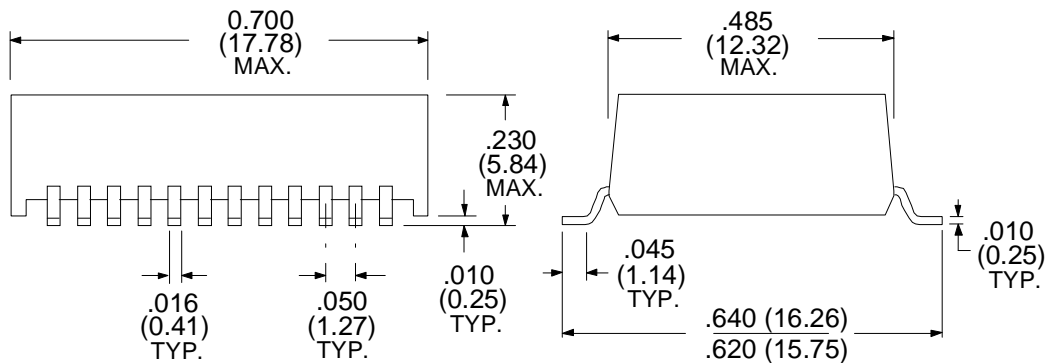
1000BASE - T MAGNETICS MODULE

Electrical Specifications at 25°C

Part Number	Insertion Loss (dB MAX)	Return Loss (dB MIN @ 100Ω)					Crosstalk (dB MIN)			Differential to Common Mode Rejection (dB MIN)			Hipot (Vrms MIN)
		1-30MHz	40MHz	50MHz	60-80MHz	100MHz	30MHz	60MHz	100MHz	30MHz	60MHz	100MHz	
T-17300	1.0	-18	-14.4	-13.1	-12	-10	-45	-40	-35	-43	-37	-33	1500



- Designed for long haul Gigabit Ethernet 100/1000Base-T, full duplex applications
- Supports 4 pairs of category 5 UTP cable
- Cable interface for isolation and low common mode emissions
- Compliant with IEEE 802.3ab standard for 1000Base-T



Dimensions in inches (mm)

RHOMBUS P/N: T-17300	
CUST P/N:	NAME:
DATE: 8/28/99	SHEET: 1 OF 1