

10BASE-T INTERFACE TRANSFORMER

Reinforced Insulation Per EN 41003/EN 60950

Turns Ratio (± 5%)	1CT:1CT		
----------------------	---------	--	--

Parameter	Min.	Max.	Units
Open Circuit Inductance	200		μH
Leakage Inductance		0.8	μH
Interwinding Capacitance (C _{WW})		15	pF
Primary DC Resistance		0.4	ohms
Secondary DC Resistance		0.5	ohms
Isolation (HI-POT)	4000		V _{RMS}

Meets IEE 802.3 and ANSI X3.263 Standards.

Transformer can be used for Transmit or Receive side.

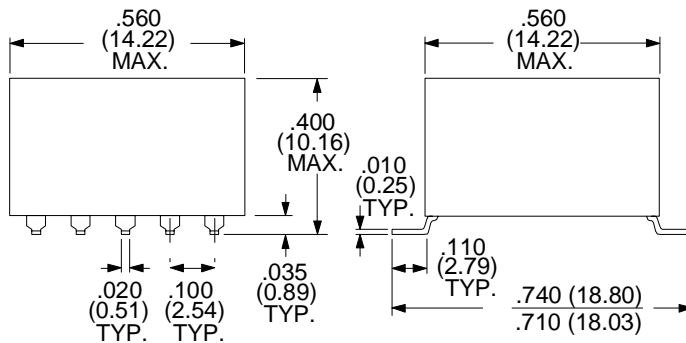
Flammability: Materials used in the production of these units meet requirements of UL94-VO and IEC 695-2-2 needle flame test.

0.5mm minimum insulation thickness between primary and secondary.

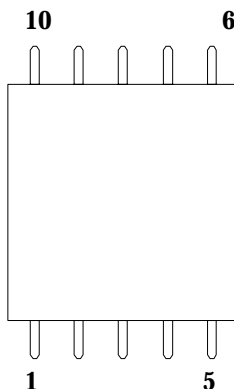
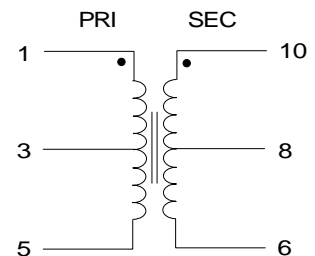
Parts shipped in anti-static tubes.
31 pieces per tube

OPERATING TEMPERATURE RANGE:
-40°C TO +85°C

Physical Dimensions
inches (mm)



Schematic Diagram



PRELIMINARY!

RHOMBUS P/N: T-1482G	
CUST P/N:	NAME:
DATE: 01/08/02	SHEET: 1 OF 1