

T1/CEPT/ISDN PRI Interface Transformer

Turns Ratio (± 5%)	1CT:1CT (T1) & 1CT:2CT (T2)
----------------------	-----------------------------

Flammability: Materials used in the production of these units meet requirements of UL94-VO and IEC 695-2-2 needle flame test.

PARAMETER	MIN.	MAX.	UNITS
OCL (Primary)	1.2		mH
Leakage Inductance		0.6	μH
Capacitance (C _{ww})		30	pF
Primary DC Resistance		0.7	Ohms
Secondary DC Resistance		0.7 & 1.0	Ohms
ET Product	10		VμS
Operating Temp Range	-40	+85	°C

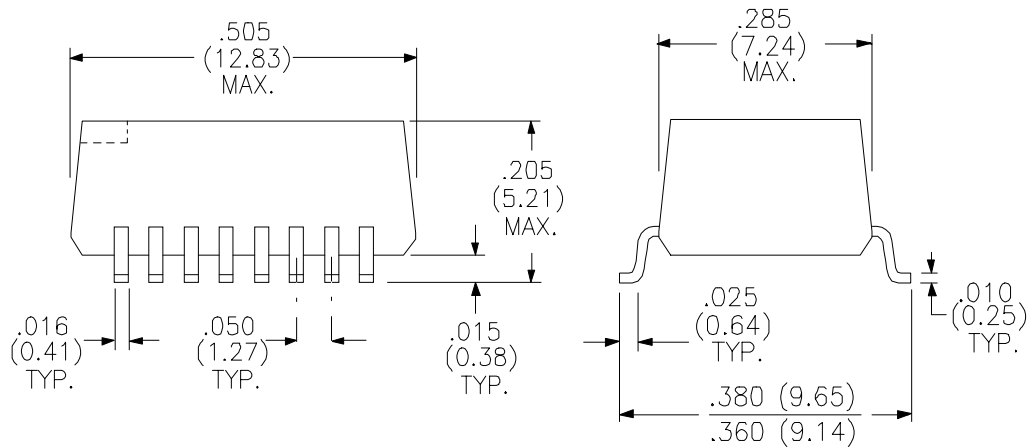
Parts shipped in anti-static tubes. 33 pieces per tube

Tape & Reel Available

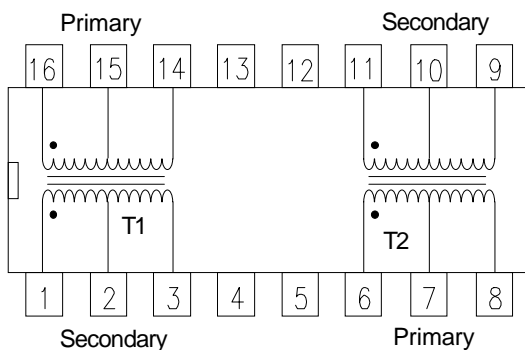
Primary Pins 14-16 & 6-8

Isolation 1500 V_{RMS} Min.

PHYSICAL DIMENSIONS inches (mm)



Schematic Diagram



Rhombus P/N:	T-14169	
Cust. P/N:	Name:	
Date:	5/21/98	Sheet: 1 of 1