

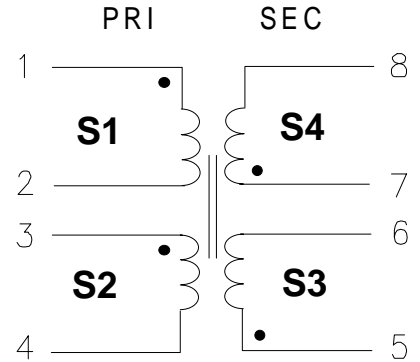
PARAMETER		UNITS
TURNS RATIO 2 : 2 : 1 : 1 $\pm 2\%$ Pins 1-2 : 3-4 : 5-6 : 7-8		
¹ Inductance	1.3 Min.	mH
² Leakage Inductance	1.6 Max.	μ H
³ Interwinding Capacitance	25 Max.	pF
DCR Primary Pins 1-4 (short 2-3)	0.45 Max.	Ω
DCR Secondary pins 5-8 (short 6-7)	0.3 Max.	Ω
Isolation (min) 1,2,3,4 to 5,6,7,8	1500 Min.	V _{RMS}

- 1) Tested @ 10 kHz and 100mV
(Pins 1-4, short 2-3)
- 2) Tested @ 100 kHz and 100 mV
(Pins 1-4, short 2-3 and short 5,6,7,8)
- 3) Tested @ 100 kHz and 100 mV
(Pins 1 & 8 short 2,3 & 6-7)

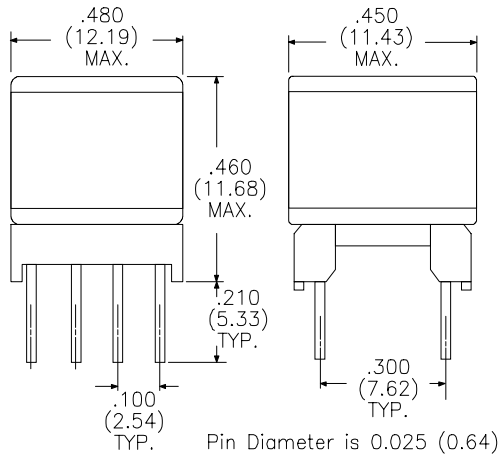
T-13807

T1/CEPT INTERFACE TRANSFORMER

Schematic Diagram

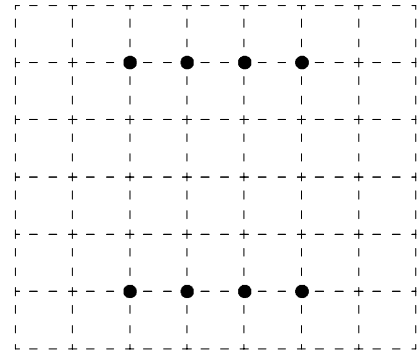


Physical Dimensions inches (mm)

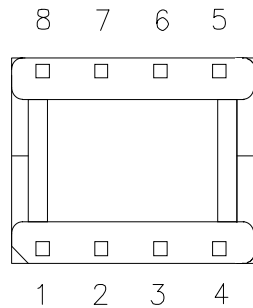


PIN POSITION GRID 0.100 (2.54)

● HOLES FOR BOBBIN PINS



BOTTOM VIEW



1/5/96