

ISDN S Interface Transformer

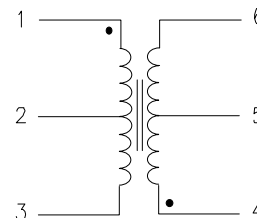
Turns Ratio (± 2%)	1CT : 1CT
----------------------	-----------

PARAMETER	MIN.	MAX.	UNITS
Open Circuit Inductance	22		mHy
Leakage Inductance		5	μHy
Interwinding Capacitance ($C_{W/W}$)		100	pF
Distributed Capacitance (C_D)		40	pF
Primary DC Resistance		2.76	ohms
Secondary DC Resistance		2.76	ohms
Isolation (HI-POT)	2.0K		V_{RMS}

TEST CONDITIONS:

Oscillation Voltage = 700mV
 Oscillation Frequency = 10.0 KHz
 Inductance measured on Primary winding. Pins 1 - 3.

SCHEMATIC DIAGRAM

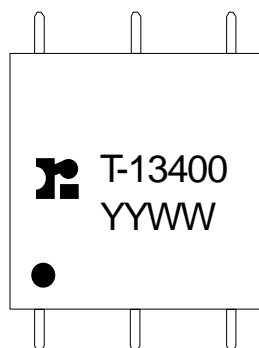


Flammability: Materials used in the production of these units are UL94-VO and meet requirements of IEC 695-2-2 needle flame test.

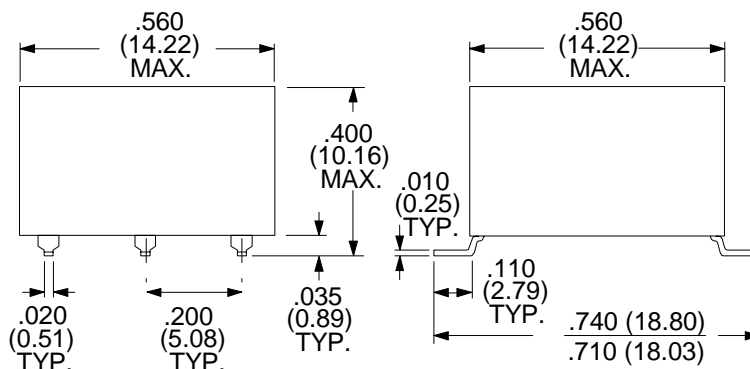
MEETS THE PULSE WAVEFORM TEMPLATE OF CCITT I.430.

Primary is Line Side

Unbalanced current at TE: $\Delta I_{dc} = 1 \text{ mA max.}$
 Longitudinal Conversion Loss - 10KHz to 300 KHz: 60dB min.



PHYSICAL DIMENSIONS inches (mm)



RHOMBUS P/N: T-13400	
CUST P/N:	NAME:
DATE: 08/27/2002	SHEET: 1 OF 1