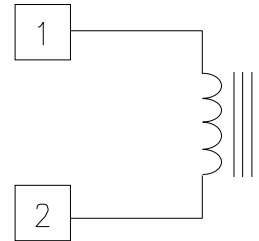


# Surface Mount Self-Leaded Inductor 150 kHz

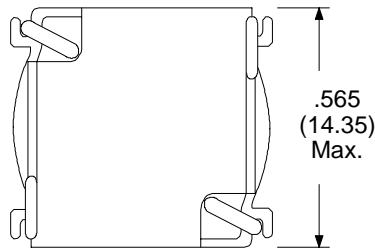
Electrical Specifications at 25°C. Operating Temp. Range: -30°C to +130°C

| Part Number | L <sup>(1)</sup><br>with DC<br>( $\mu$ H) | I <sub>DC</sub> <sup>(1)</sup><br>(Amps) | E-T <sup>(1)</sup><br>Product<br>(V- $\mu$ s) | DCR<br>max.<br>( $\Omega$ ) |
|-------------|---|--|---|-----------------------------|
| L-15358     | 26  | 1.48                                     | 9.9   | 0.1                         |

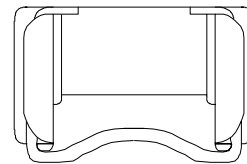
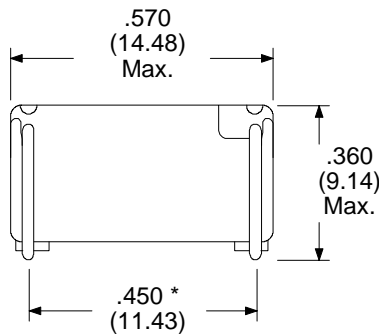
Schematic Diagram



1) Typical values for a 55°C Temperature rise at 150 kHz and E-T value above, the core loss is 10 % of copper loss.

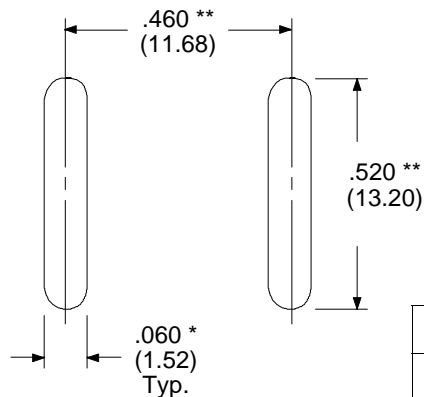


Physical Dimensions  
inches (mm)



\* Tolerance  $\pm$  .015 (0.38)

\*\* Tolerance  $\pm$  .005 (0.15)



Suggested PCB Layout

RHOMBUS P/N: L-15358

CUST P/N:

NAME:

DATE: 7/30/96

SHEET: 1 OF 1