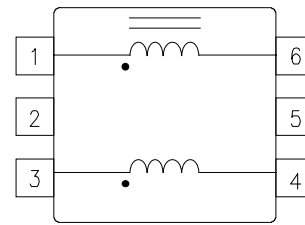


# Surface Mount Common Mode Choke

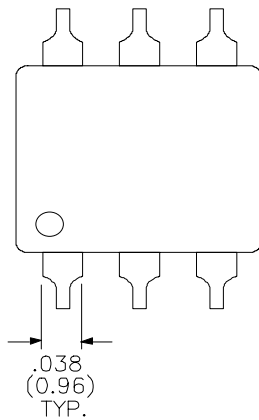
Schematic  
Diagram



Electrical Specifications at 25° C

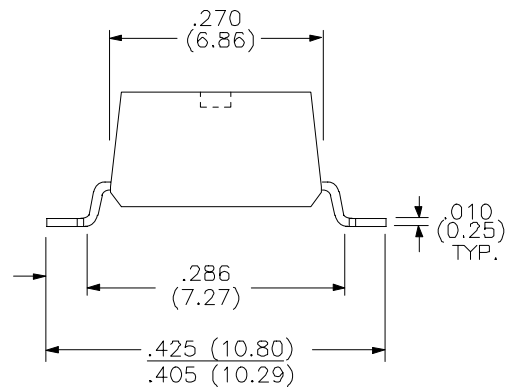
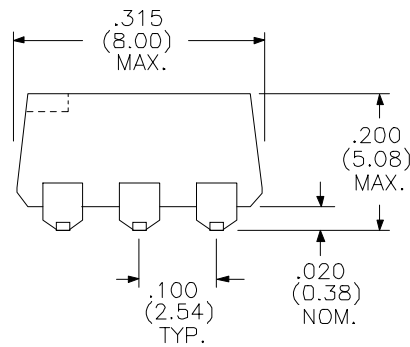
Part Number	Pri. Ind. OCL, Typ. ( $\mu\text{H}$ )	DCR Max. ( $\Omega$ )	Hi-Pot Min. $V_{\text{RMS}}$	Common Mode Attenuation (dB)							
				10M	50M	100M	150M	200M	250M	300M	400M
F-138	1.16	0.3	1000	18	20	20	23	30	20	10	2

Operating Temperature Range: 0 °C to +70 °C



Physical  
Dimensions

inches (mm)



RHOMBUS P/N: F-138

CUST P/N:

NAME:

DATE: 9/22/99

SHEET: 1 OF 1